

Adapter: J-Link 20 Pin to 10/5 pin Header

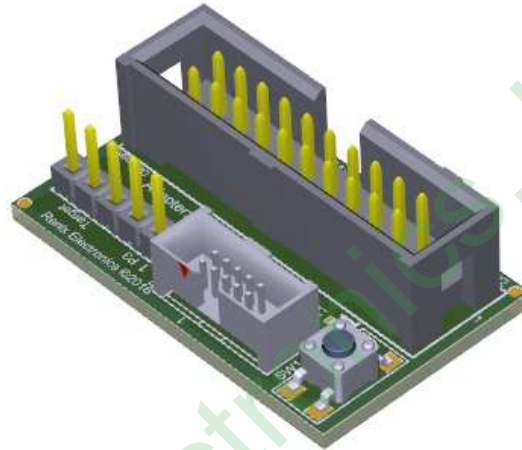
Part Number: 20-0903-JTAG_20P_10P5P

General Description

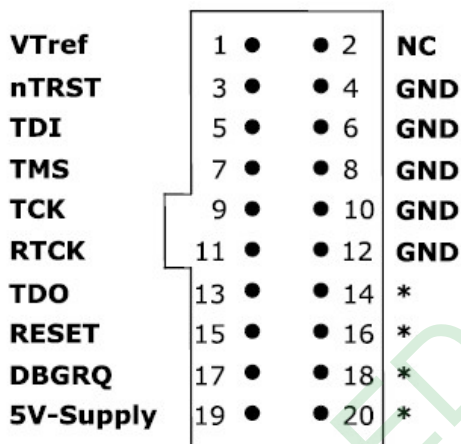
This Program and Debug adapter connects between a 20-pin Segger J-Link, STMicro ST-LINK/V2 or other 20-pin programmer, with a 2.54mm male, keyed header

It converts to both 10-pin JTAG/SWD connector for Cortex-M, or a Cost effective 5-Pin 0.100" pitch vertical header. Use with 20/10/5 pin IDC off-the-shelf cabling.

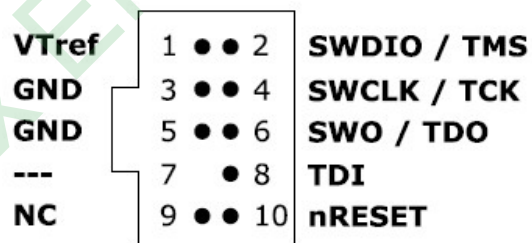
A Reset button eliminates need to power cycle the target.



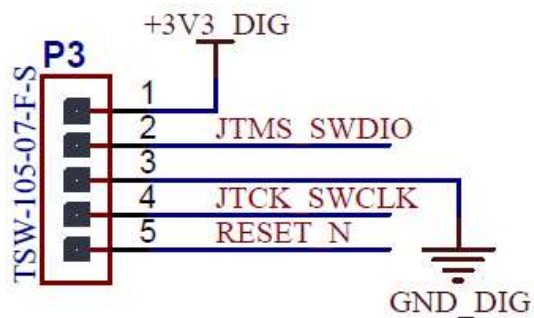
20-pin Segger J-Link, ST-LINK/V2



10-pin JTAG/SWD connector



5-Pin 0.100" Header



<https://www.segger.com/products/debug-probes/j-link/>

<https://www.st.com/en/development-tools/st-link-v2.html>

<https://www.samtec.com/products/tsw-105-07-f-s>